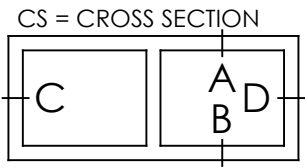
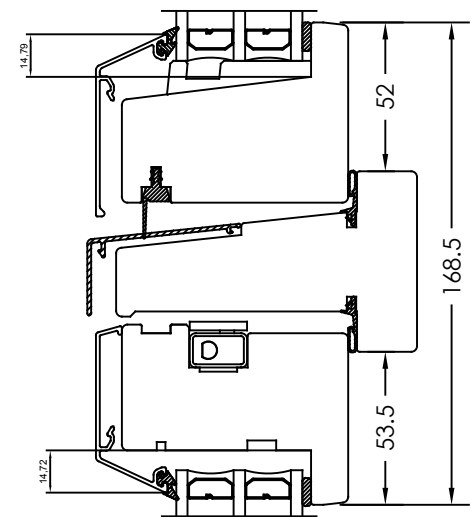
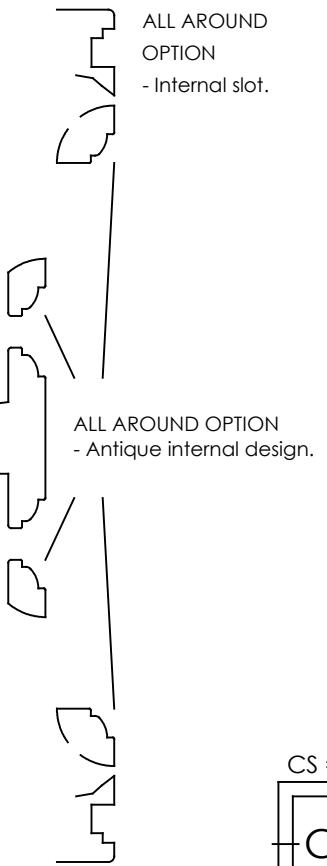
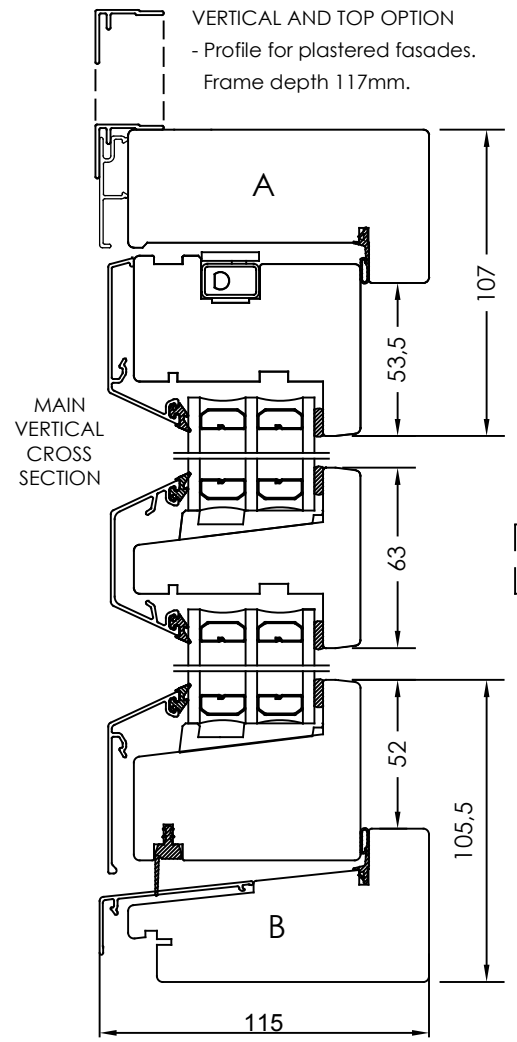
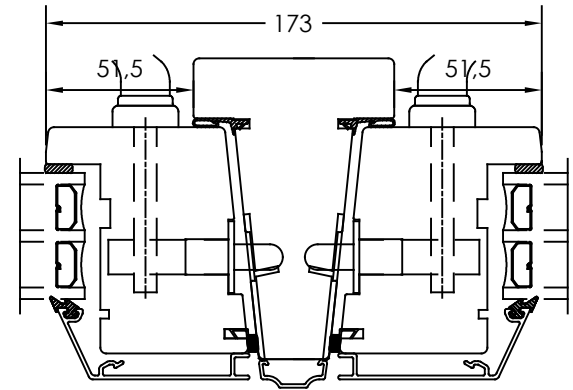
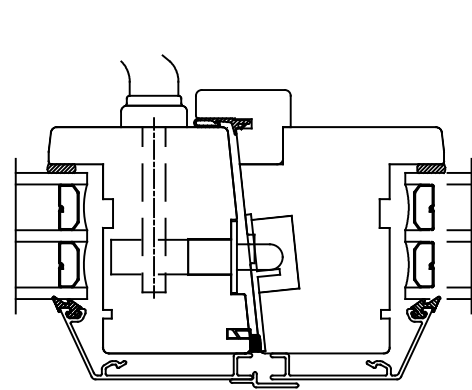
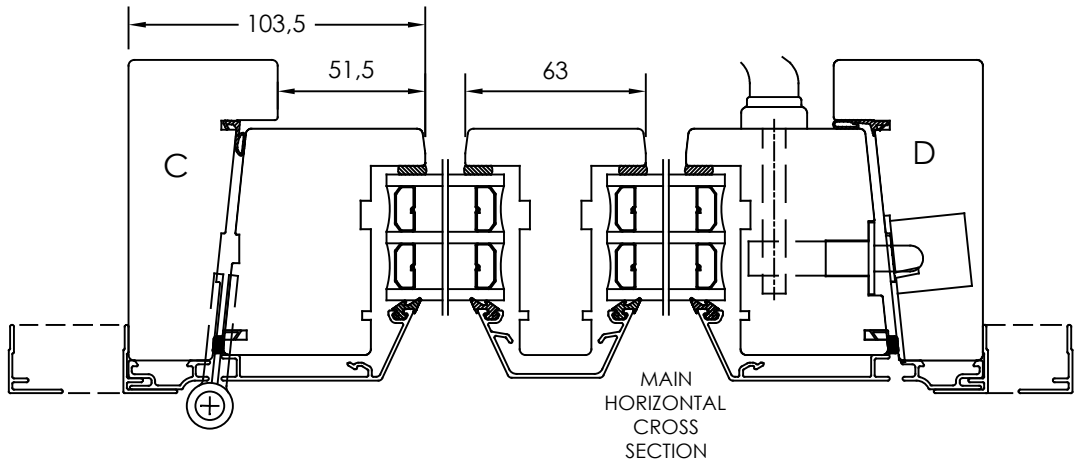


Rev	Description	Rev. by	Date



Designed by SH	Designed date 2019-05-14	Product Category Window Outward	Processing Code
Approved by	Approved date	Product Type Side Hung	Material
		Sidhängt 3-glas, alu	Tolerances unless otherwise specified
		Side Hung 3-glass, alu	View orientation E
		Article Number	Scale
		Drawing Number 61-37-S201 E	Revision (A)